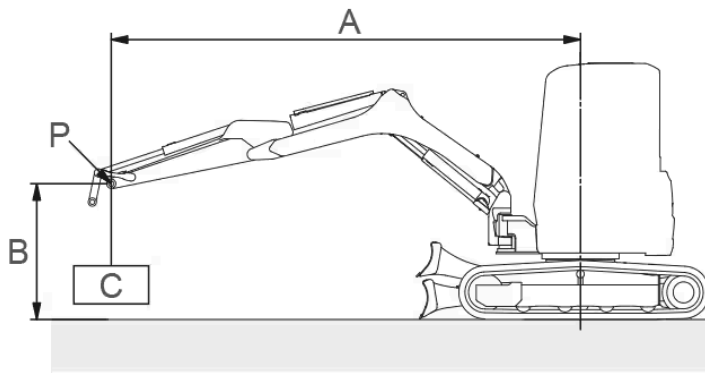


Spec

[Lifting Capacity](#)
[Dimensions](#)
[Specifications](#)

Lifting Capacity



With: Canopy and rubber track

Without: Quick coupler and bucket

A: Reach from swing center line [m]

B: Load point height [m]

C: Lifting load [kg]

P: Load point

: Rating over front

: Rating over side or 180 degrees

ViO30-7

ViO35-7

Blade down

A	Max.		3.5m		3m		2m	
3m	480	*760	610	*730	*750	*750	-	-
2m	400	*780	580	*860	770	*940	1010	*1110
1m	380	*830	560	*1060	700	*1290	890	*1690
0m	390	*870	530	*1150	650	*1430	810	*1800
-1m	450	*910	510	*1080	630	*1330	800	*1640
-1.5m	530	*910	-	-	-	-	-	-
-2m	700	*880	-	-	-	-	-	-

Blade up

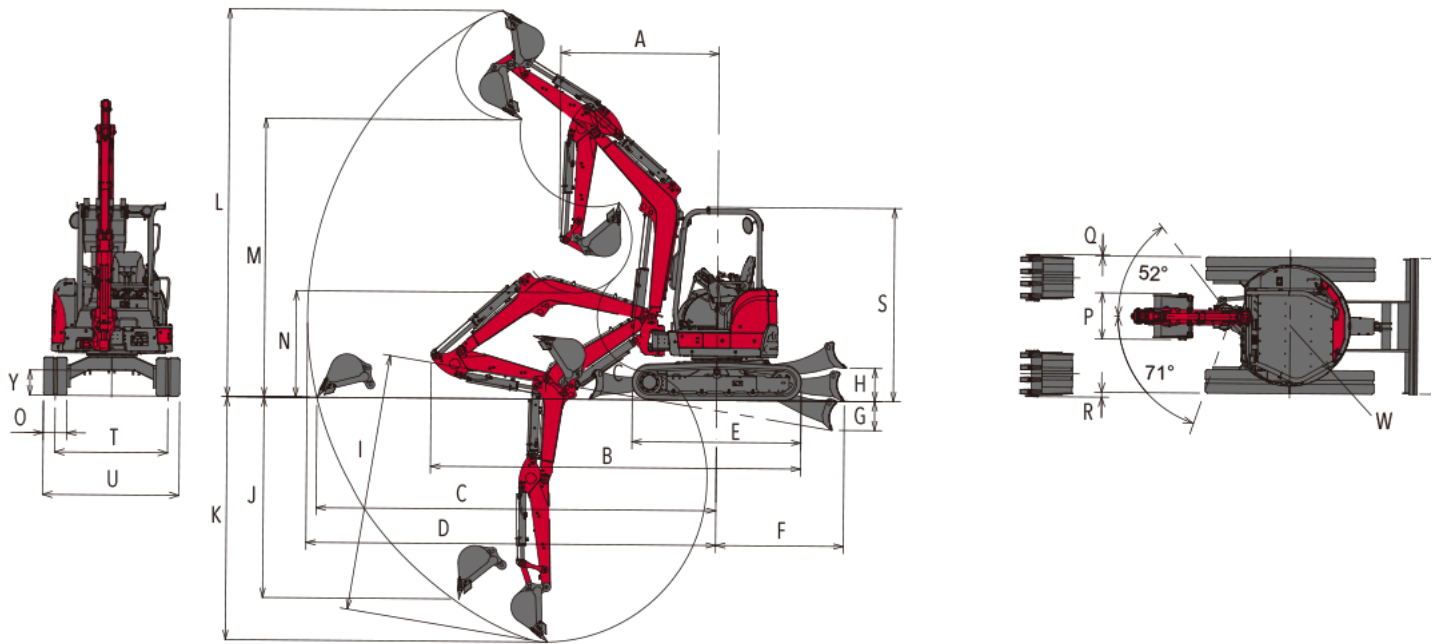
	Efficiency	Operativity	Workability	Maintenance ₁	Option	Spec	3m	2.5m
B								
3m	480	550	610	*730	*750	*750	-	-
2m	400	460	580	670	770	*940	1010	*1110
1m	380	430	560	630	700	790	890	1030
0m	390	440	530	600	650	750	810	960
-1m	450	510	510	590	630	730	800	940
-1.5m	530	610	-	-	640	730	820	940
-2m	700	760	-	-	-	-	840	*1090

Note :

The date in this table represents the lifting capacity in accordance with ISO 10567.

They do not include the weight of the bucket and correspond to 75% of the maximum static tipping load of the 87% of the hydraulic lifting capacity.

Dimensions



ViO30-7

Rubber track specific:

The data of canopy and cabin spec are the s:

Unit: mm

	A <at boom swing>	B	C	D	E	F	G	H
With quick coupler	2240 (88.2) <1790 (70.5)>	4480(176.4)	4920(193.7)	5060(199.2)	2160(85.0)	1530(60.2)	325(12.8)	375(14.8)
Without quick coupler	2070 (81.5) <1630 (64.2)>	4410(173.6)	4730(186.2)	4880(192.1)				

ViO30/35	I	J	K	L	M	N	O	P
	Top Efficiency	Operativity	Workability	Maintenance	Option	Spec		
quick coupler	3090(121.7)	2260(89.0)	2950(116.1)	4790(188.6)	3020(118.9)	1130(44.5)		
Without quick coupler	2910(114.6)	2230(87.8)	2770(109.1)	4590(180.7)	3200(126.0)	1270(50.0)	300(11.8)	530(20.9)
	Q	R	S	T	U	V	W	Y
Quick Coupler								
Without quick coupler	240(9.4)	0(0)	2460(96.9)	1250(49.2)	1550(61.0)	1550(61.0)	775(30.5)	320(12.6)

ViO35-7

Rubber track specific:
The data of canopy and cabin spec are the s:
Unit: mm

	A	B	C	D	E	F	G	H
With quick coupler	2210 (87.0) <1760 (69.3)>	4720(185.8)	5300(208.7)	5430(213.8)	2160(85.0)	1680(66.1)	370(14.6)	425(16.7)
Without quick coupler	2040 (80.3) <1610 (63.4)>	4660(183.5)	5110(201.2)	5250(206.7)				
	I	J	K	L	M	N	O	P
With quick coupler	3430(135.0)	2530(99.6)	3250(128.0)	5180(203.9)	3410(134.2)	1260(49.6)	300(11.8)	600(23.6)
Without quick coupler	3250(128.0)	2510(98.8)	3070(120.9)	4980(196.0)	3590(141.3)	1390(54.7)		
	Q	R	S	T	U	V	W	Y
With quick coupler	180(7.1)	-55(-2.2)	2460(96.9)	1440(56.7)	1740(68.5)	1740(68.5)	870(34.3)	320(12.6)
Without quick coupler								

Specifications

ViO30-7

Model				ViO30-7			
Type				With quick coupler		Without quick coupler	
				Canopy	Cabin	Canopy	Cabin
WEIGHT	Operating weight	Rubber track	kg (lbs.)	3165 (6978)	3320 (7319)	3115 (6867)	3270 (7209)
		Steel track	kg (lbs.)	3275 (7220)	3430 (7562)	3225 (7110)	3380 (7452)

Model			ViO30-7				
Top	Efficiency	Operativity	Workability	Maintenance	Option	Spec	
Type			With quick coupler		Without quick coupler		
			Canopy	Cabin	Canopy	Cabin	
ENGINE	Type		Vertical 3-cylinder water-cooled direct injection diesel engine				
	Model		3TNV88-ESBV2				
	Rated output, gross	kW (HP) /rpm	18.9 (25.3) / 2200				
BUCKET	Capacity, standard		0.09 (3.18)				
	Width, standard		530 (20.9)				
PERFORMANCE	Max. digging force	Bucket	kN (lbf.)	22.7 (5103)		30.0 (6744)	
		Arm	kN (lbf.)	16.4 (3687)		18.2 (4092)	
	Max. digging depth <at the blade down>		mm (in.)	2950 (116.1)<3090 (121.7)>		2770 (109.1)<2910 (114.6)>	
	Max. vertical wall digging depth		mm (in.)	2260 (89.0)		2230 (87.8)	
	Max. cutting height		mm (in.)	4790 (188.6)		4590 (180.7)	
	Max. dumping height		mm (in.)	3020 (118.9)		3200 (126.0)	
	Max. digging radius of the ground		mm (in.)	4920 (193.7)		4730 (186.2)	
	Front min. swing radius <at swinging the boom>		mm (in.)	2240 (88.2)<1790 (70.5)>		2070 (81.5)<1630 (64.2)>	
	Boom swing angle: left / right		degree	71 / 52			
	SPEED	Travel speed: high / low	Rubber track	km/h (mph)	4.8 (3.0) / 2.9 (1.8)		
Steel track			km/h (mph)	4.4 (2.7) / 2.7 (1.7)			
Swing speed		rpm	9.4				
GROUND PRESSURE	With standard track	Rubber track	kPa (PSI)	27.7 (4.02)	29.1 (4.22)	27.3 (3.96)	28.6 (4.15)
		Steel track	kPa (PSI)	28.8 (4.18)	30.2 (4.38)	28.4 (4.12)	29.8 (4.32)
TANK CAPACITY	Fuel tank		L (gal)	44 (11.6)			
	Hydraulic oil tank		L (gal)	32 (8.5)			
HYDRAULIC SYSTEM	Pump displacement		L/min (gpm)	37.4 (9.9)×2 <Variable displacement pump> 26.8 (7.1)×1, 9.9 (2.6)×1 <Gear pump>			
	Relief set pressure		MPa (PSI)	20.6 (2988)×2, 19.6 (2843)×1			
	Max. AUX output		L/min (gpm)	64.2 (17.0)			

				Canopy	Cabin	Canopy	Cabin
WEIGHT	Operating weight	Rubber track	kg (lbs.)	3485 (7683)	3640 (8025)	3435 (7573)	3590 (7915)
		Steel track	kg (lbs.)	3595 (7926)	3750 (8267)	3545 (7815)	3700 (8157)
ENGINE	Type			Vertical 3-cylinder water-cooled direct injection diesel engine			
	Model			3TNV88-ESBV2			
	Rated output, gross		kW (HP) /rpm	18.9 (25.3) / 2200			
BUCKET	Capacity, standard		cu.m (cu.ft)	0.11 (3.88)			
	Width, standard		mm (in.)	600 (23.6)			
PERFORMANCE	Max. digging force	Bucket	kN (lbf.)	24.4 (5485)		32.1 (7216)	
		Arm	kN (lbf.)	18.5 (4159)		20.3 (4564)	
	Max. digging depth <at the blade down>		mm (in.)	3250 (128.0)<3430 (135.0)>		3070 (120.9)<3250 (128.0)>	
	Max. vertical wall digging depth		mm (in.)	2530 (99.6)		2510 (98.8)	
	Max. cutting height		mm (in.)	5180 (203.9)		4980 (196.0)	
	Max. dumping height		mm (in.)	3410 (134.2)		3590 (141.3)	
	Max. digging radius of the ground		mm (in.)	5300 (208.7)		5110 (201.2)	
	Front min. swing radius <at swinging the boom>		mm (in.)	2210 (87.0)<1760 (69.3)>		2040 (80.3)<1610 (63.4)>	
	Boom swing angle: left / right		degree	71 / 52			
SPEED	Travel speed: high / low	Rubber track	km/h (mph)	4.8 (3.0) / 2.9 (1.8)			
		Steel track	km/h (mph)	4.4 (2.7) / 2.7 (1.7)			
	Swing speed		rpm	9.4			
GROUND PRESSURE	With standard track	Rubber track	kPa (PSI)	30.5 (4.42)	31.9 (4.63)	30.1 (4.37)	31.4 (4.55)
		Steel track	kPa (PSI)	31.7 (4.60)	33.0 (4.79)	31.2 (4.53)	32.6 (4.73)
TANK CAPACITY	Fuel tank		L (gal)	44 (11.6)			
	Hydraulic oil tank		L (gal)	32 (8.5)			
HYDRAULIC SYSTEM	Pump displacement		L/min (gpm)	37.4 (9.9)×2 <Variable displacement pump> 26.8 (7.1)×1, 9.9 (2.6)×1 <Gear pump>			
	Relief set pressure		MPa (PSI)	22.1 (3205)×2, 20.6 (2988)×1			
Max. AUX output			L/min	64.2 (17.0)			

ViO30/35

Model

ViO30-7

Top

Efficiency

Operativity

Workability

Maintenance

Option

Spec

With quick coupler

Without quick coupler

Type

Canopy

Cabin

Canopy

Cabin

(gpm)



Excellent Footwork & Armwork

Construction



MADE FROM THE HEART

Compact Equipment



Share this page



Inquiries and Support



Catalog Download



FAQ



Dealer Locator



Contact

Home > Compact Equipment > Excavators > ViO30/ViO35 > Spec

Social Media



> All official accounts

> Agriculture

> Energy Systems

> Compact Equipment

> Dealer Locator

> Smart Agriculture

> Gas-Engine Heat Pump (GHP)

> Excavators

> Support / Contact

> Tractors

> Cogeneration Systems

> Wheel Loaders

> Documents

› **Power Generation**

› **Recreational Marine**

- › Marine Engine
- › Recreational Boat
- › Premium Cruiser
- › Marine Equipment

› **Marine Commercial**

- › Propulsion Engines (High Speed)
- › Propulsion Engines (Medium Speed)
- › Auxiliary Engines

› Solutions

- › Products
- › Project References

› New Products

- › Fundamental Research
- › Product Development
- › Production System
- › Business Outline

› **Compact Power Products**

- › Diesel Generators
- › Diesel / Pumps
- › Diesel / Welders
- › Diesel / Lighting Towers

› **About Us**

- › Message from the President
- › Our Mission
- › Business Areas
- › Technology
- › Company Profile
- › History
- › CSR / Environment
- › Sports
- › Financial Results
- › Y media

› **YANMAR SYNERGY SQUARE**

› **YANMAR TOKYO**

 Select Region